

Black

MILLWORK CO., INC.

Introduction of the NEW 4 Panel Gliding Door. Quality as Standard, Not an Option.



Manufactured from Quality knot free Laminated / Engineered Baltic Pine. With hardwood sill.

Doors are supplied fully finished in White as standard RAL 9010, with options for any RAL colour.

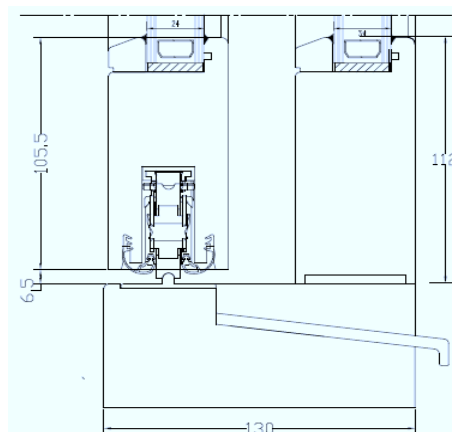
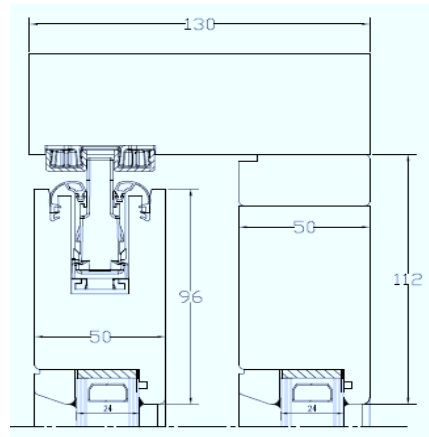
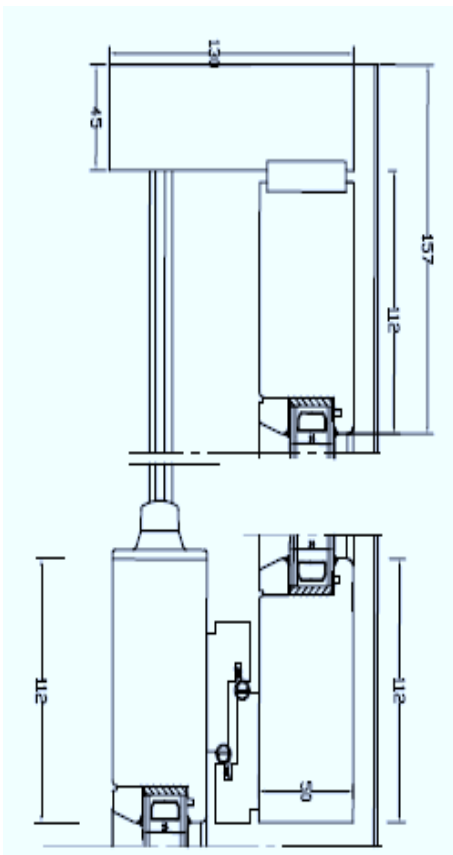
Units can be stained / lacquer finished.

Also available in solid Oak and Ash.

Units are Glazed as standard with Pilkington Toughened Low E 24mm Double Glazing with 90% Argon Gas Fill, with Upgraded Thermix Spacer Bar. U Value 1.1.

Roto multipoint locking mechanism, hardware and furniture, F1 Silver Colour key locking as standard. With options for C33 Bronze and White.

Units come with extensive Warranties, 10 years sealed units and hardware, 5 years paint finish, 10 years on timbers.



Description

Gliding Door units (Sliding). Fully Finished in White with Remmers primer ZW-400 and finish top coat DW-690.

Frame & Panel Materials

Engineered Baltic Pine (knot free). Hardwood sill. Frame 130mm.

Preservation

All timber components are pressure impregnated with Remmers Induline GL-350 to prevent against insect and fungal attack.

Factory Finish

Doors are supplied fully finished in White as standard RAL 9010, with options for any RAL colour. Also options for dual colour frames, or painted exterior varnish interior.

Performance

The Glazing has been tested to EN1279.

Furniture

Supplied F1 Silver colour Key locking as standard, options C33 Bronze, White.

Weatherseal

Roto weather strips.

Glazing

Doors are factory glazed with Pilkington Toughened Low E glazing with upgraded Thermix Spacer and 90% Argon Gas fill, 24mm (4-16-4) tested to EN1279 U Value 1.1.

Sills

Hardwood sills.

Mechanisms

Roto, multipoint locking mechanism, hardware and furniture.

Sizing

Max height 2500mm
Min height 1900mm
Max width 4 panel 6000mm
Min width 4 panel 3000mm

Grilles

FDL, 19mm profile.

Guarantees

10 years on sealed units and hardware, 5 years on paint finish against fading, 10 years on timber portions.



Simple handles

Handles with a button

Handles with a key

Colourings of the folding door-handles



Silver, F1

Bronze, C33

White

Black Millwork Co Inc
Andersen House
Dallow Street
Burton on Trent
Staffordshire
DE14 2PQ

Phone: 01283 511122

Fax: 01283 510863

E-mail: info@blackmillwork.co.uk

Web: www.blackmillwork.co.uk

Black
MILLWORK CO., INC.