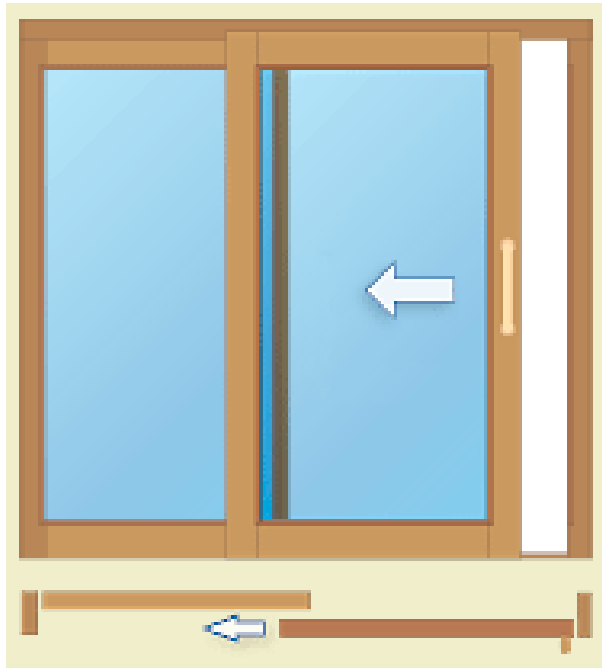


Black

MILLWORK CO., INC.

Introduction of the NEW 2 panel Gliding Door. Quality as Standard, Not an Option.



Manufactured from Quality knot free Laminated / Engineered Baltic Pine. With hardwood sill.

Doors are supplied fully finished in White as standard RAL 9010, with options for any RAL colour.

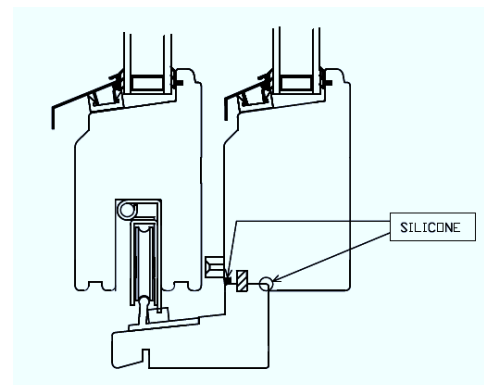
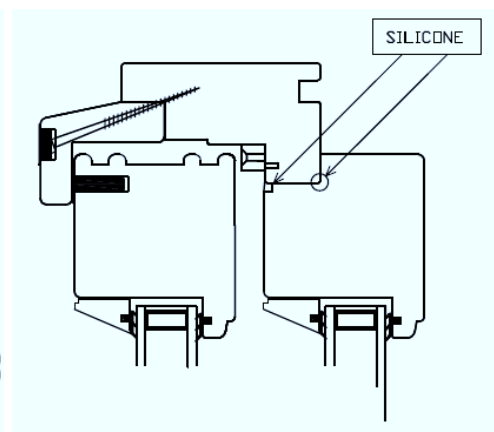
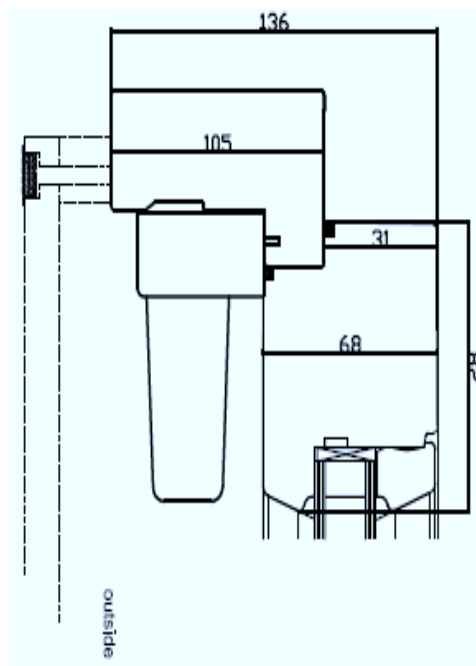
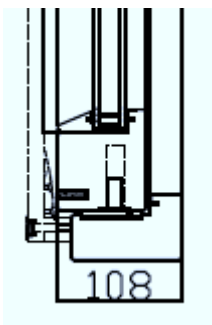
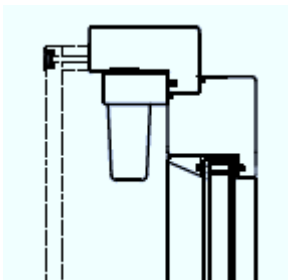
Units can be stained / lacquer finished.

Also available in solid Oak and Ash.

Units are Glazed as standard with Pilkington Toughened Low E 24mm Double Glazing with 90% Argon Gas Fill , with Upgraded Thermix Spacer Bar. U Value 1.1.

Spilka multipoint locking mechanism and furniture, F9 Titanium Colour key locking as standard. With options for F1 Silver & F3 Gold Colour available.

Units come with extensive Warranties, 10 years sealed units and hardware, 5 years paint finish, 10 years on timbers.



Description

Gliding Door units (Sliding). Fully Finished in White with Remmers primer ZW-400 and finish top coat DW-690.

Frame & Panels Materials

Engineered Baltic Pine (knot free). Hardwood sill.
Frame 105mm.

Preservation

All timber components are pressure impregnated with Remmers Induline GL-350 to prevent against insect and fungal attack.

Factory Finish

Doors are supplied fully finished in White as standard RAL 9010, with options for any RAL colour.
Also options for dual colour frames, or painted exterior varnish interior.

Performance

The Glazing has been tested to EN1279.

Furniture

Supplied F9 Titanium Colour key locking as standard. With options for F1 Silver & F3 Gold Colour available.

Weatherseal

Schlegel weather strips.

Glazing

Doors are factory glazed with Pilkington Toughened Low E glazing with upgraded Thermix Spacer and 90% Argon Gas fill, 24mm (4-16-4) tested to EN1279 U Value 1.1.

Sills

Hardwood sills.

Mechanisms

Spilka multipoint locking mechanism, hardware and Hoppe furniture.

Sizing

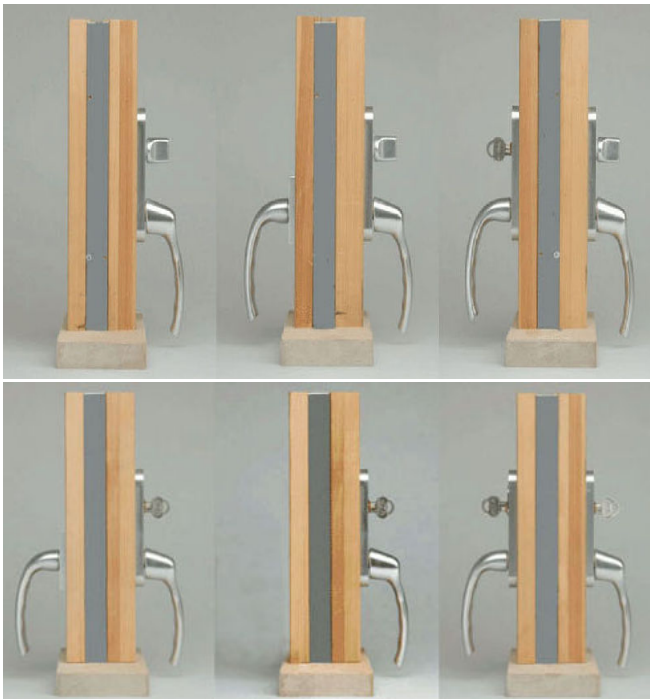
Max height 2400mm
Min height 1900mm
Max width 2 panel 4000mm
Min width 2 panel 1500mm

Grilles

FDL, 19mm profile.

Guarantees

10 years on sealed units and hardware, 5 years on paint finish against fading, 10 years on timber portions.



Black Millwork Co Inc
Andersen House
Dallow Street
Burton on Trent
Staffordshire
DE14 2PQ

Phone: 01283 511122
Fax: 01283 510863
E-mail: info@blackmillwork.co.uk
Web: www.blackmillwork.co.uk

Black
MILLWORK CO., INC.